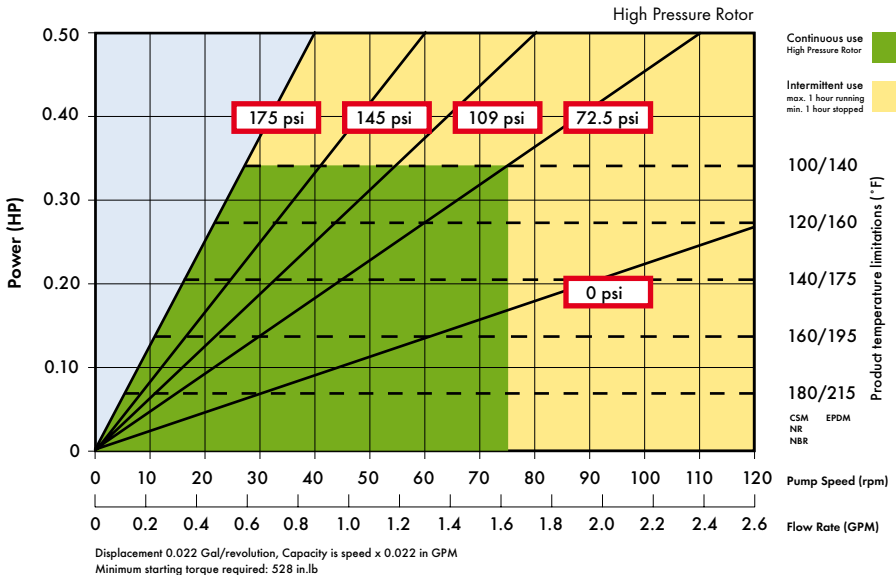
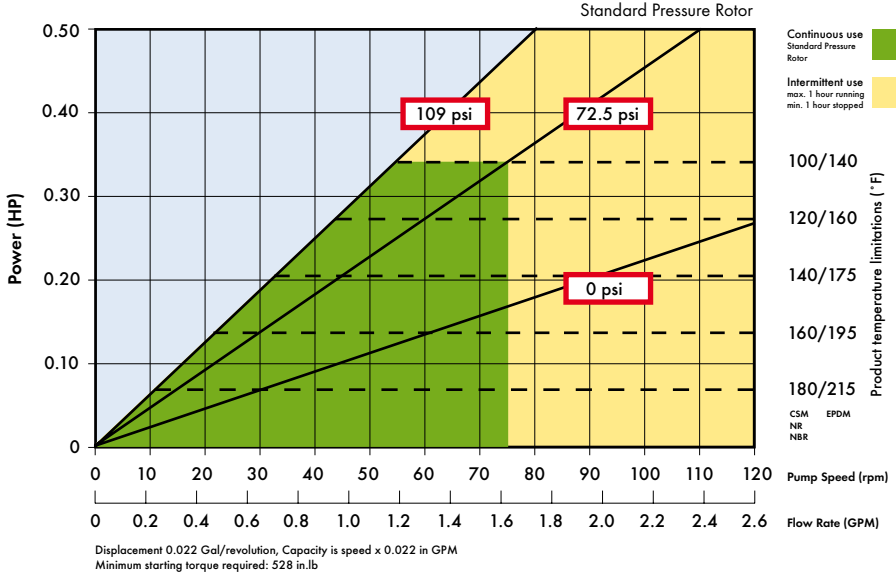


# VERDERFLEX VF15

## Technical Data Sheet

### Performance Curve



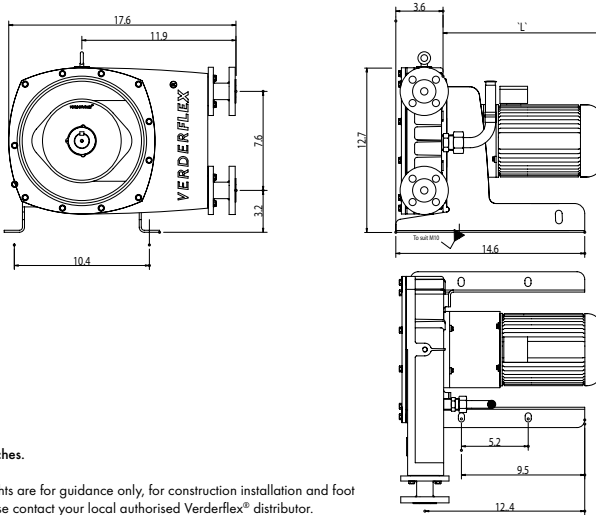
**Please Note:** For operating pressures above 109 psi, the pump requires a high pressure rotor to be fitted.

# VERDERFLEX VF15

## Technical Data Sheet

VERDERFLEX®

### General Arrangement Layout



All dimensions are in inches.

All dimensions and weights are for guidance only, for construction installation and foot mounting drawings please contact your local authorised Verderflex® distributor.

### Standard Materials of Construction

Description	Material	Weight (lbs)	Paint Detail
Pump Housing	Aluminium (LM25) Option: Cast Iron (ASTM A 536)	15.4 (33 *)	RAL 6018 (Green)
Front Cover	Clear Polycarbonate	1.5	
Rotor	Aluminium (BS.1490:1988 LM25M) Option: Cast Iron (ASTM A 536)	0.9 (9*)	
Flanges	Mild Steel (BS EN.10.025 FE430A)	3.3 each	
Inserts	Stainless Steel (316L) Polypropylene P.V.D.F	0.3	
Base Frame	Carbon Steel	6.6	RAL 7035 (Grey)
Lubricant	Verderlube - Glycerine based compound Verdersil - Silicone oil	0.13 Gallons	
Hose	NR, NBR, CSM and EPDM	1.5	
Aluminium Close coupled pump unit - "Flat Pack"		40.7	
Cast Iron Close coupled pump unit - "Flat Pack"		64	

\* Cast Iron option

#### VERDER Ltd

Whitehouse Street, Hunslet, LEEDS, LS10 1AD • Tel: +44 (0)113 222 0250  
• Fax: +44 (0)113 222 0291 • info@verderflex.com • www.verderflex.com

Affiliated companies: AT Wien • BE Aartselaar • CN Shanghai • CZ Praha •  
DE Haan • FR Eragny s/Oise • GB Leeds/Basildon • HU Budapest •  
JP Tokyo • NL Groningen/Vleuten • PL Katowice • RO Bucuresti •  
ZA Johannesburg • SK Bratislava • US Newtown

[www.verderflex.com](http://www.verderflex.com)