

The Auto Control Easy Tube Load Peristaltic Pump

Model No. AU.UV.EZ

- Variable speed / flow rate
- Brushless motor for 24 hr duty
- Low maintenance
- Manual and analogue control
- 0-10v dc, 4-20mA, 10k Pot
- Easy tube change



Variable speed pump fitted with the Autoclude Easy Tube Load Pump Head, remote control of speed and stop/start/reverse using analogue signals or volt free contacts

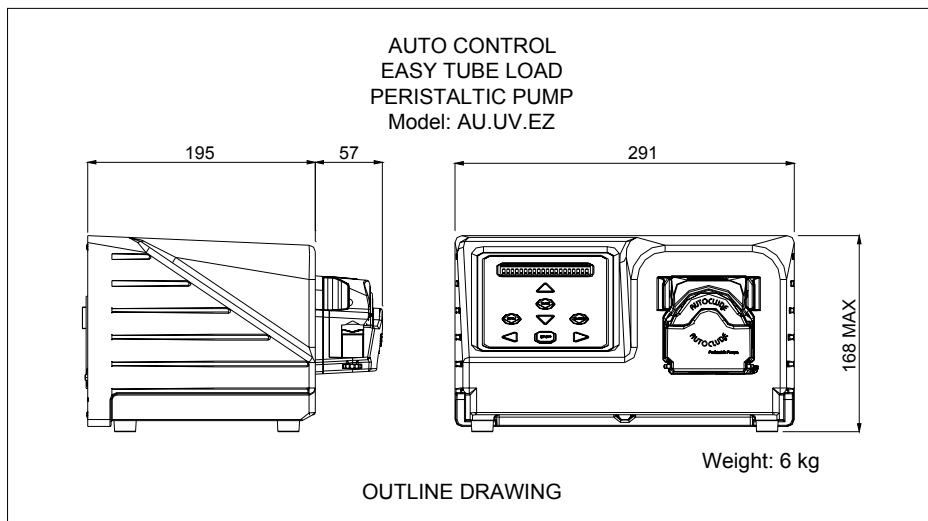
Features:

- User friendly keypad control
- Two line alpha numeric display
- Manual and analogue control
- Vary flow rate or speed
- Low maintenance brushless motor
- Easy tube load stackable pump head
- Three roller rotor

Technical:

- Flow rates 0.8 to 1312 ml/min
- Speeds from 10 to 250 rpm
- Six tube sizes and five materials
- Remote speed control
- 0-10v dc, 4-20mA or 10K Pot
- Remote Stop/Start/Reverse
- Volt free contacts or 3-36v dc
- 115/230v 50/60 Hz supply

Tube I/D	0.8 mm	1.6 mm	3.2 mm	4.8 mm	6.3 mm	8.0 mm
Flow Rate	0.8 ~ 19 ml/min	2.8 ~ 70 ml/min	11 ~ 270 ml/min	24 ~ 587 ml/min	38 ~ 937 ml/min	53 ~ 1312 ml/min



Specification

Power supply: 100-120 / 220-240v
50/60Hz
Power Consumption: 100 VA
Motor: 24v d.c. 250 rpm
Brushless d.c.
Speed Range: 10-250 rpm
Enclosure: IP40
Temp Range: Operate 5°C to 40 C
Store 0°C to 50°C

Materials

Enclosure: Noryl structured foam
Aluminium back plate
Finish: Polyurethane Paint
Pump Head: Acetal and Polyamide
Stainless steel shafts
Nylatron rollers
Ball race bearings

Standards

Directives

Warranty

Twenty four month guarantee period
Excluding consumables such as tube.

IEC 335-1
EN 50081-1
EN 50082-1
EN 60529 IP40

89/392/EEC
89/336/EEC
73/23/EEC
2002/95/EEC

Ordering Information

Auto Control Easy Tube Load Peristaltic Pump
Pt No. AU.UV.EZ

Tubing

Bore x wall	Autoprene	Silicone	Tygon	Viton	Prothane II
0.8 m m x 1.6 m m	T0016 SAT 24	T0016 SLT 25	T0016 TYG 00	T0016 VIT 00	T0016 PRO 00
1.6 m m x 1.6 m m	T0016 SAT 07	T0016 SLT 12	T0016 TYG 12	T0016 VIT 16	T0016 PRO 16
3.2 m m x 1.6 m m	T0016 SAT 08	T0016 SLT 16	T0016 TYG 13	T0016 VIT 10	T0016 PRO 10
4.8 m m x 1.6 m m	T0016 SAT 01	T0016 SLT 02	T0016 TYG 10	T0016 VIT 02	T0016 PRO 03
6.3 m m x 1.6 m m	T0016 SAT 03	T0016 SLT 03	T0016 TYG 15	T0016 VIT 00	T0016 PRO 00
8.0 m m x 1.6 m m	T0016 SAT 04	T0016 SLT 04	T0016 TYG 00	T0016 VIT 04	T0016 PRO 00

Issue 0406