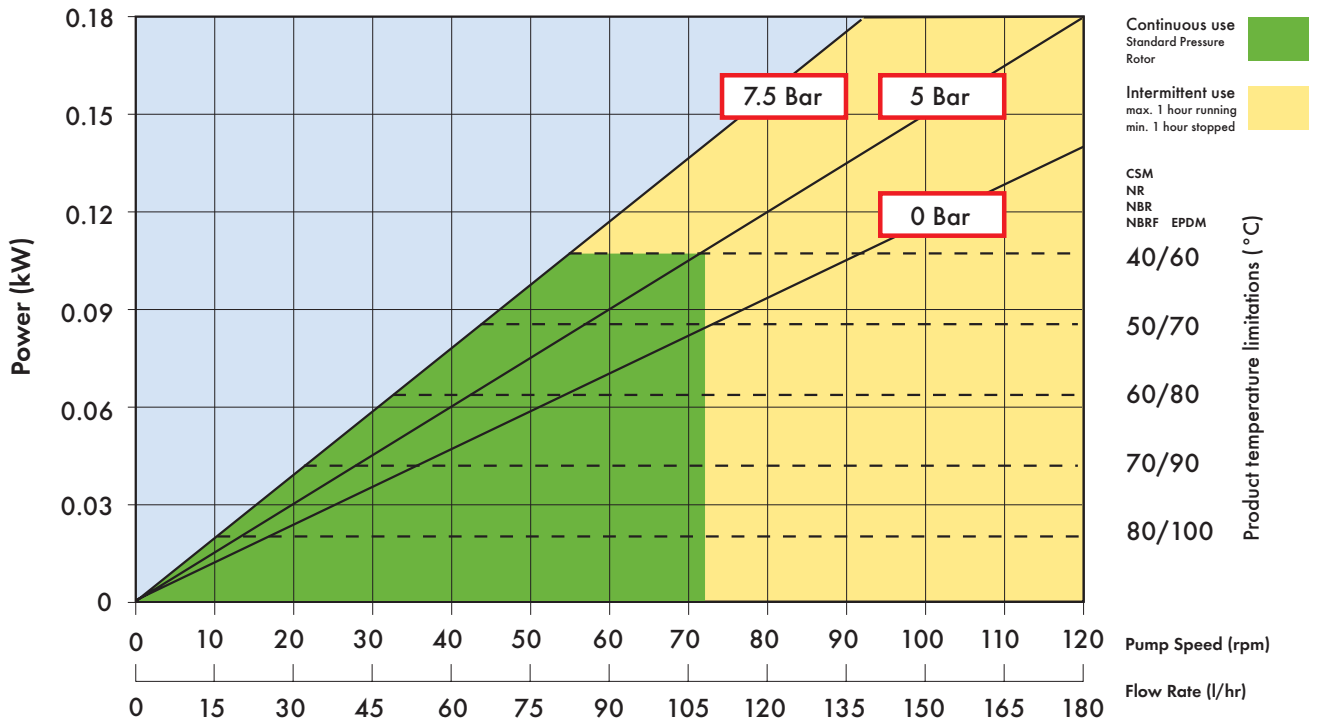
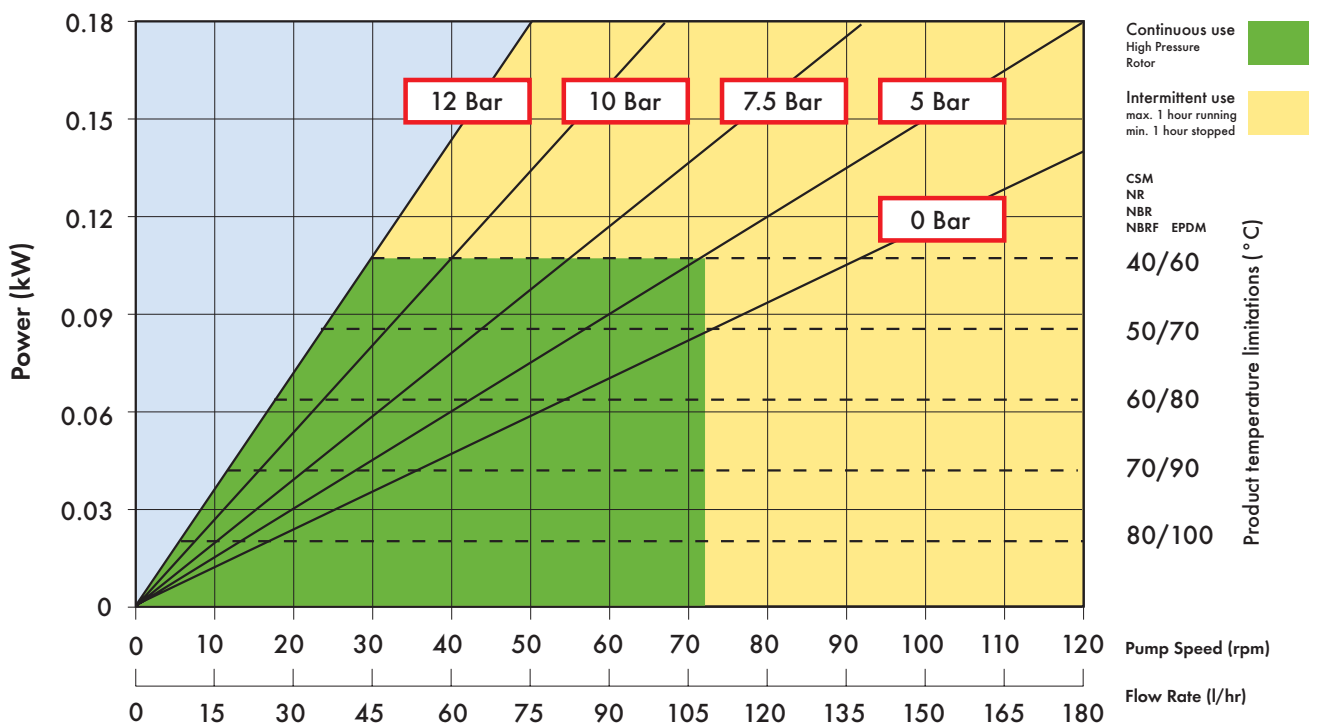


VERDERFLEX VF10 Technical Data Sheet

Performance Curve



Displacement 0.025 l/revolution, Capacity is speed x 1.5 in l/hr
Minimum starting torque required: 47 Nm



Displacement 0.025 l/revolution, Capacity is speed x 1.5 in l/hr
Minimum starting torque required: 47 Nm

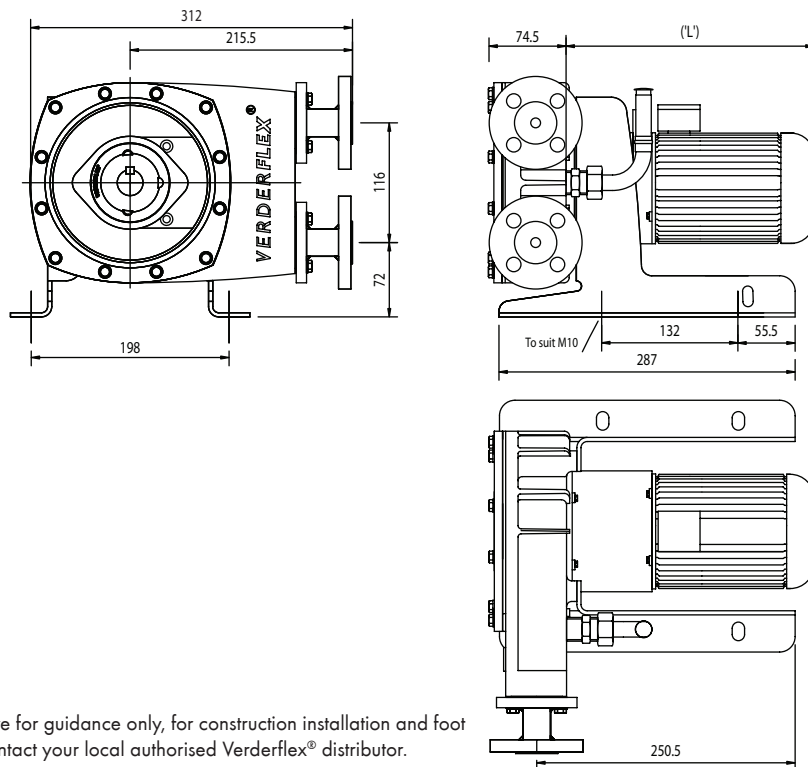
Please Note: For operating pressures above 7.5 bar, the pumps require a high pressure rotor to be fitted.

VERDERFLEX VF10

Technical Data Sheet

VERDERFLEX®

General Arrangement Layout



All dimensions are in mm.

All dimensions and weights are for guidance only, for construction installation and foot mounting drawings please contact your local authorised Verderflex® distributor.

Standard Materials of Construction

Description	Material	Weight (kg)	Paint Detail
Pump Housing	Aluminium (LM25) Option: Cast Iron (ASTM A 536)	3.0 (7*)	RAL 6018 (Green)
Front Cover	Clear Polycarbonate	0.3	
Rotor	Aluminium (BS.1490:1988 LM25M) Option: Cast Iron (ASTM A 536)	0.4 (1*)	
Flanges	Mild Steel (BS EN.10.025 FE430A)	1.5 each	
Inserts	Stainless Steel (316L) Polypropylene P.V.D.F	0.1	
Base Frame	Carbon Steel	2.0	RAL 7035 (Grey)
Lubricant	Verderlube - Glycerine based compound Verdersil - Silicone oil	0.25 litres	
Hose	NR, NBR, NBR Food Grade, CSM and EPDM	0.45	
Aluminium Close coupled pump unit - "Flat Pack"		11	
Cast Iron Close coupled pump unit - "Flat Pack"		16	

* Cast Iron option

www.verderflex.com

VERDER Ltd

Whitehouse Street, Hunslet, LEEDS, LS10 1AD • Tel: +44 (0)113 222 0250 • Fax: +44 (0)113 222 0291 • info@verderflex.com • www.verderflex.com

Affiliated companies: AT Wien • BE Aartselaar • CN Shanghai • CZ Praha • DE Haan • FR Eragny s/Oise • GB Leeds/Basildon • HU Budapest • JP Tokyo • NL Groningen/Vleuten • PL Katowice • RO Bucuresti • ZA Johannesburg • SK Bratislava • US Newtown

Rev2m Dec 07